

TEMPERATURE CONTROL UNIT FOR WALL MOUNTING WRW-200 SERIES

winkler

Applications:

For simple control of electrical heating systems. Temperature controller or temperature controller/limiter combination

Structure:



Standard equipment

- Robust housing with separate terminal cover and transparent hinge cover IP 54
- Universal power supply 90 ... 250 V, 50 ... 60 Hz
- LCD graphic display with polychrome background lighting
- Single button operation (incremental encoder)
- Text-prompted menu navigation
- Low-wear relay in hybrid circuit 10 A / 16 A
- **Timer function with buffered real-time clock**
- PID control with self-optimisation or thermostat function
- Operating hours meter

Suitable for all heating systems with type Pt100, Pt1000 sensors, type K and type J thermocouples

Communication module option

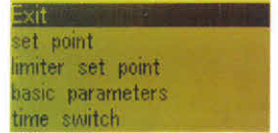
Can be used in process documentation

- 2 inputs / 3 outputs incl. 1 x additional screw connection
- Logic input for start/stop, remote reset, configurable setpoint switchover
- Analog input 4...20 mA for external setpoint default
- Analog output 4...20 mA as actual value output
- Floating signal contact (configurable general fault signal)
- Control output 0/12 VDC for external SSR

Display examples



Operation aid



Selection



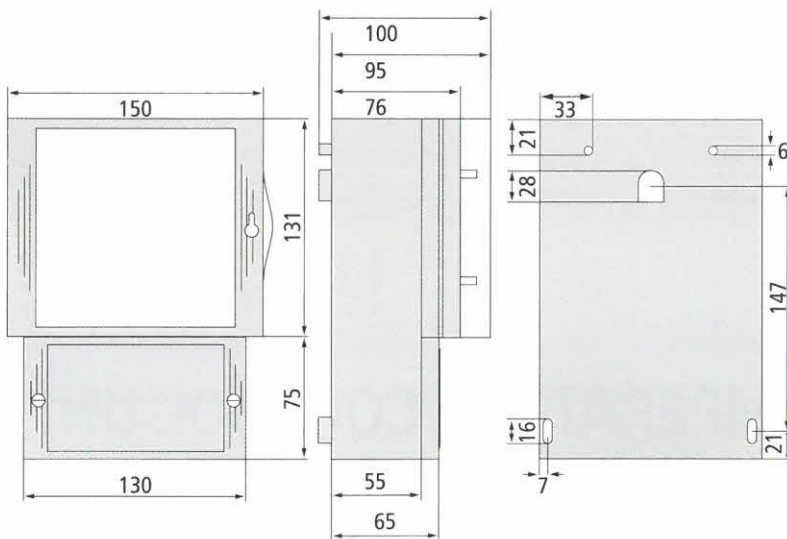
Standard operation



Over heat Display

DIMENSIONS AND TECHNICAL DATA

Dimensions



Front view

Side view

Rear view

Technical data	
Rated voltage	90...250 V
Switching output	10 A relay (low-wear hybrid circuit) 16 A relay (low-wear hybrid circuit)
Internal fuse	T 10 A / 250 V (16 A version without fuse)
Sensor types	Pt100 / Pt1000 / type J and type K thermocouples
Setpoint range	-100...1000 °C
Display	Monochrome LCD graphic display 64 × 128 pixel
Functions (depending on version)	Two-step controller with thermostat function Two-step controller (PID controller) Temperature controller/limiter combination
Housing	ABS light grey, transparent cover
Dimensions	H 206 × W 150 × D 100 mm
Protection standard	IP 54 (splashproof and dust protected) when transparent cover is closed correctly
Ambient temperature	0...50 °C
Mains connection	1.5 m mains cable with "Schuko" plug (CEE 7/7)
Heating circuit connection	depending on version
Communication module (option)	<ul style="list-style-type: none"> • "Logic input for start/stop, remote reset, configurable setpoint switchover" • Analog input 4...20 mA (setpoint value) • Analog output 4...20 mA (actual value) • Signal contact (e.g. configurable as general fault signal) • Control output 0/12 VDC for external SSR"
Weight	• 1,6 kg