

Easy installation:



1. Installation of the wall-insert in the wall



2. Insertion of the slide-in module



3. Locking with blind plug



4. Heated lines are connected and secured with the coupling nut

Applications

On engine test beds or roller dynamometer test beds to channel measuring gases to the analyzer-room securely and according to norms.

Benefits

- Rugged design made of high-quality materials. The system is engineered for permanent operating temperatures up to 200°C.
- Due to the design, dimensional or angular variations of the wall are compensated without compromising function.
- Easy maintenance and repair. A replacement of the slide-in module is easily and quickly done without having to open the wall-insert or damaging the wall.
- Very efficient heating and very good insulation → low power consumption of 50 W/passage (at 280 mm length).
- Continuous heating without cold spots (according to norm) between wall bushing and heated line.
- Delivery fully-fledged including insulating tape and all required fixation elements.

Models

- Nominal diameter (=inner diameter of the heated passages) standard DN 6 and 4, others upon request.
- Length L (corresponds to wall thickness): 200 mm, 240 mm and 280 mm or any other according to customer specification
- Operating voltage: standard 230 VAC, other operating voltages upon request
- Sensor: standard Pt 100, Pt1000 or thermocouples type K or type J, other sensors upon request.

Options and versions

- Versions with separately temperature-controlled heated passages.
- Versions for climate chambers with frost-free PVC rear cover plate.

ELECTRIC WALL BUSHINGS SERIES WAWEP

Applications and structure

- On engine test beds or roller dynamometer test beds to connect heated lines securely and according to norms.
- Basic design as with WHQ but without the heated passages and connecting elements. Plugs and sockets to connect heated lines are on built in on both sides and interconnected inside.

Options and versions

- Plugs and plug sockets according to customer specification
- Versions for climate chambers with heated slide-in module and frost-free PVC rear cover plate
- Combined wall bushings heated/electric
- Wall bushings for water, compressed air or other fluids according to customer specification.

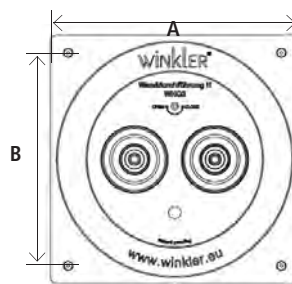


TECHNICAL DATA SERIES WAWHQ AND WAWEP

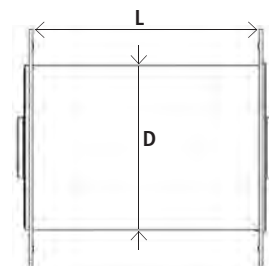
Model	WAWHQ WAWEP	1-way + 2-ways heated 2-ways + 4-ways electric
A: Width of plate		210 mm
B: Hole distance		180 mm
L: Length (= wall thickness)		200, 240, 280 mm or acc. to customer specification
D: Diameter		146 mm
Core hole bore		150 - 170 mm



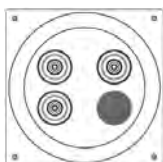
1-way heated **WAWHQ1**



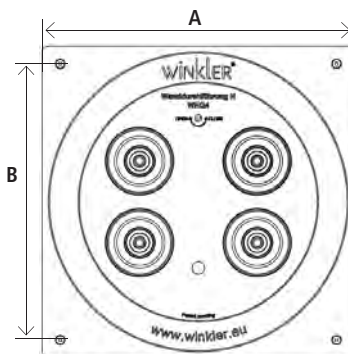
2-way heated **WAWHQ2**



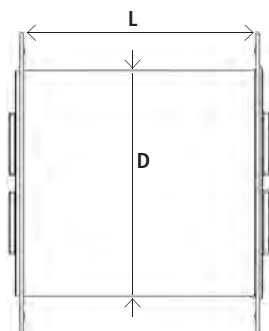
Model	WAWHQ	3-ways + 4-ways heated
A: Width of plate		260 mm
B: Hole distance		230 mm
L: Length (= wall thickness)		200, 240, 280 mm or acc. to customer specification
D: Diameter		196 mm
Core hole bore		200 - 220 mm



3-way heated **WAWHQ3**



4-way heated **WAWHQ4**



ACCESSORIES



Blind plug DN 6
Stainless steel 1.4305 with
Viton-seals
Art.-No. **WAZWBS06**



Blind plug support 2 x
Anodized aluminium
(incl. fixation elements,
without blind plugs)
Art.-No. **WAZWBSH2**

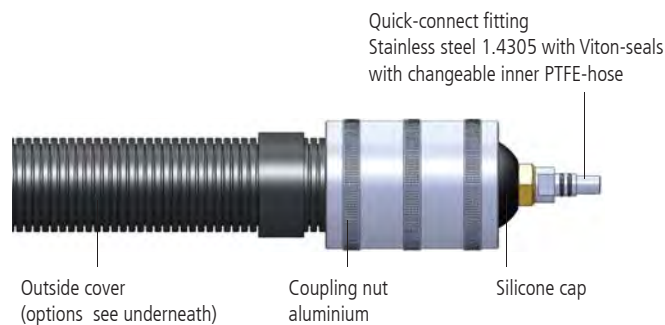
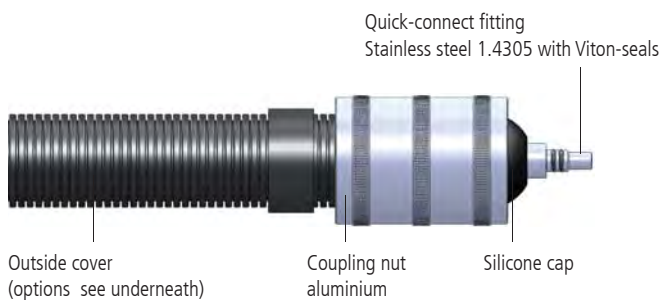


Blind plug support 4 x
Anodized aluminium
(incl. fixation elements,
without blind plugs)
Art.-No. **WAZWBSH4**



Temperature controller for wall installation
Art.-No. **WRW00110-230XP000** (for sensor Pt 100)
Art.-No. **WRW00110-230XK000** (for sensor type K)
Art.-No. **WRW00110-230XJ000** (for sensor type J)

HEATED LINES WITH QUICK-CONNECT FITTINGS (detailed information in our catalogue „heated lines“)



G0 Polyamide (PA) braiding



G9 Stainless steel braiding



S2 Silicone skin



W2 Polyamide (PA)
corrugated hose



W9 Stainless steel spiral hose