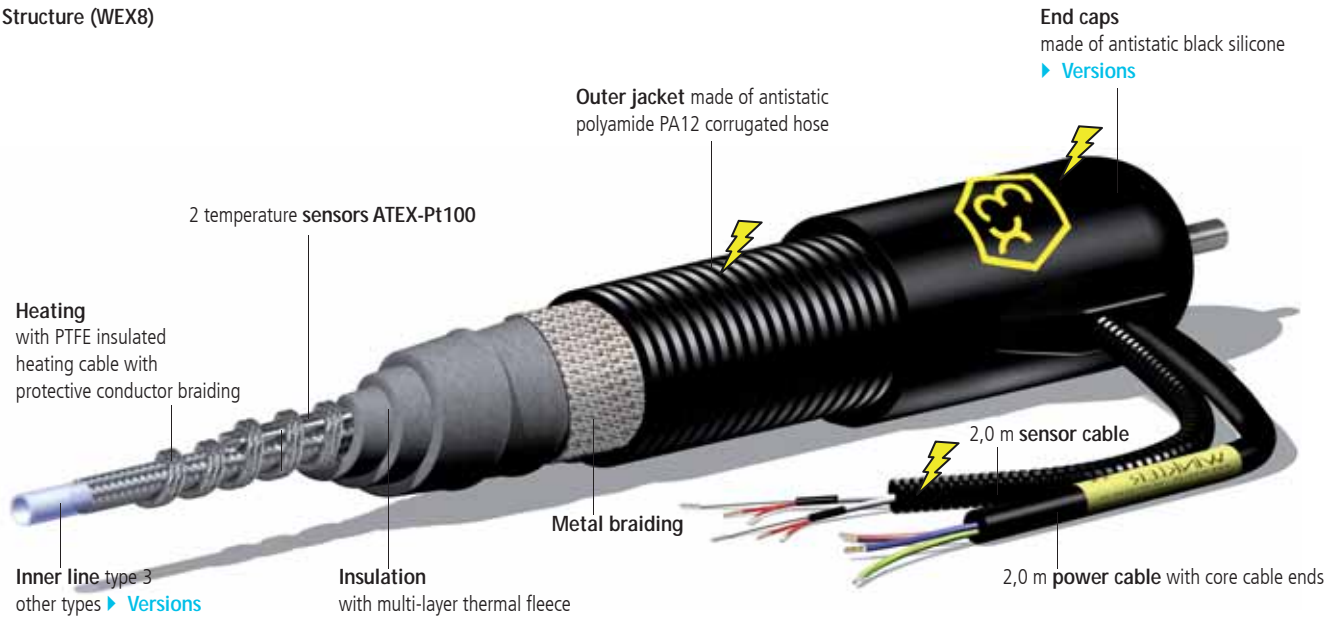


### Applications

Heated lines for the transport of gas samples in the temperature range up to +200°C.

For applications in potentially explosive atmospheres classified zone 1/2 (Gas) and 21/22 (Dust) areas. Not suitable for zone 0 and 20 areas.

### Structure (WEX8)



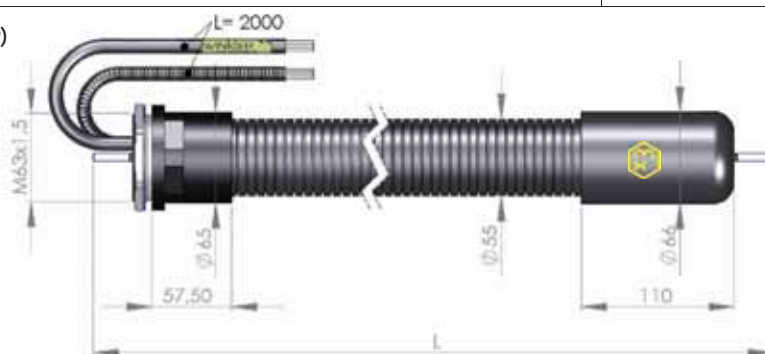
### Features and benefits

- Very robust structure made of durable, high-quality materials. Suitable for indoor and outdoor installation. Protection classes Gas IP66/Dust IP6X.
- Large variety of nominal diameters, inner lines, fittings, terminations and cable exits to cover most applications.
- High flexibility → very easy installation especially of higher lengths and at low temperatures (up to -20°C)
- Ready to connect, complete system tested and certified according to ATEX with EC-type examination certificate. The lines are supplied fully fitted and terminated and can be directly connected and put into operation without further inspection or approval.
- Operation only with controller and limiter. Two temperature sensors ATEX-Pt100 are built-in at 300 mm from E-side for the temperature control and limitation. (Other sensor positions upon request). Suitable temperature controllers/limiters for ATEX areas. [▶ Page 10](#)

### Specifications for 230 VAC (115 VAC upon request, Tolerances: lengths ±2%, diameters ±5%, power ±10%)

Series WEX8 (fix inner lines)	DN 4	DN 6	DN 8	DN 10
Series WEX9 (exchangeable, antistatic inner lines)	DN 2	—	DN 4	DN 6
Nominal power at ambient temperature Ta = +10°C	100 W/m	100 W/m	100 W/m	125 W/m
Temperature maintained at ambient temperature Ta = -20°C	+200 °C			
Temperature class	T3			
Max. permissible operating temperature	+200 °C			
Min. installation temperature	-20 °C			
Admissible range of ambient temperatures	-40°C / +85°C			
Max. length L at Ta = -25°C	46 m	46 m	46 m	37 m
Min. admissible bending radius	250 mm			
Marking	CE 0123 Ex II 2G Ex ma e IIC T3 CE 0123 Ex II 2G Ex ma D tD Ta=-40..+85 °C T 200 °C			
EC type examination certificate	TPS 09 ATEX 1006			

### Dimensions (WEX89)



Other lengths upon request

## VERSIONS: AVAILABLE TERMINATIONS UND CABLE EXITS

Depending on applications, ATEX heated lines series WEX8 and WEX9 can be terminated with silicone caps or threaded metric connectors on both the electrical connection side (E-side) or the opposite ending side (A-side). Please indicate the kind of termination when ordering. Other versions upon request.



**WEX83\_\_ / WEX93\_\_**  
with silicone caps on both sides



**WEX84\_\_ / WEX94\_\_**  
with treaded connectors M63x1,5 on both sides



**WEX88\_\_ / WEX98\_\_**  
with silicone cap on E-side and threaded connector M63x1,5 on A-side



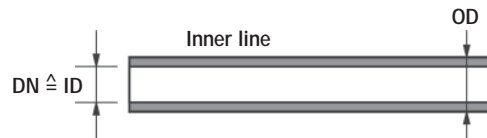
**WEX89\_\_ / WEX99\_\_**  
With threaded connector M63x1,5 on E-side and silicone cap on A-side

## VERSIONS: AVAILABLE NOMINAL DIAMETERS

Nominal diameter (DN) Inner line		Inner diameter (ID) Inner line	Outer diameter (OD) Inner line
2	2/3	2 mm	3 mm
4	4/6	4 mm	6 mm
6	6/8	6 mm	8 mm
8	8/10	8 mm	10 mm
10	10/12	10 mm	12 mm

### Attention!

The nominal diameter (DN) of the heated lines always refers to the inner diameter (ID) of the inner line.



## VERSIONS: AVAILABLE INNER LINES AND FITTINGS

Series **WEX8** (fix inner lines)



**WEX8\_\_3**  
PTFE basic hose with stainless steel tube-stubs 1.4571



**WEX8\_\_5**  
Stainless steel tube 1.4404 (protruding 50 mm on both sides)

Series **WEX9** (exchangeable, antistatic inner lines)



**WEX9\_\_4**  
PTFE basic hose with stainless steel tube-stubs 1.4571 and exchangeable antistatic PTFE hose (protruding 500 mm on both sides)



**WEX9\_\_6**  
PTFE basic hose with sleeves and exchangeable antistatic PTFE hose (protruding 500 mm on both sides)



**WEX9\_\_9**  
PTFE basic hose with stainless steel clamping fittings 1.4571 and Exchangeable antistatic PTFE hose (protruding 500 mm on both sides)