

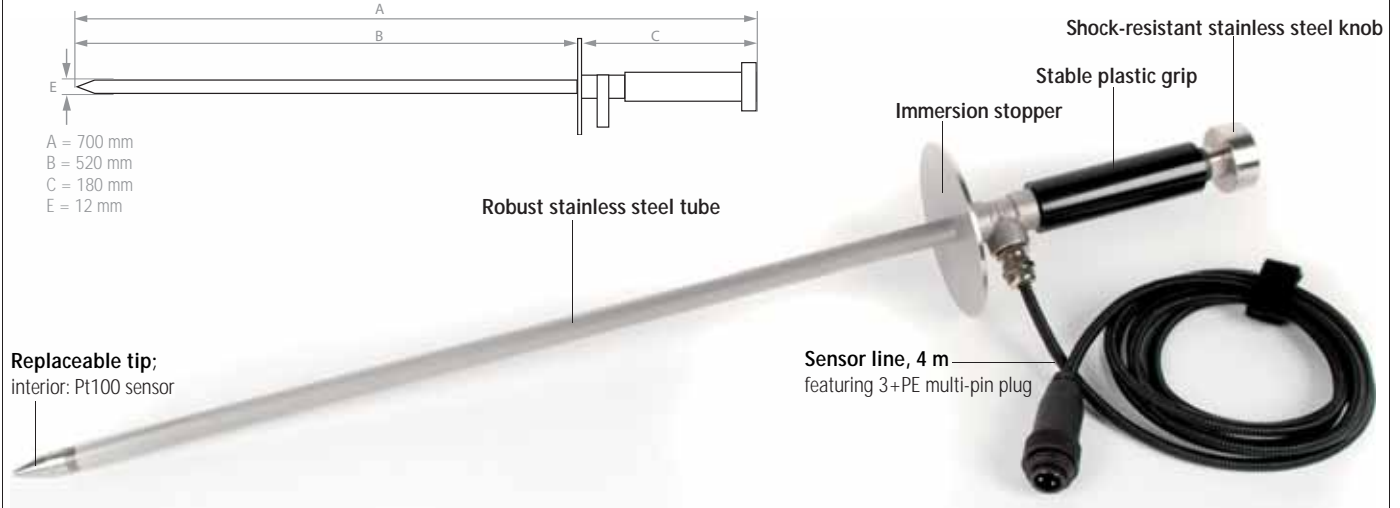
## WFXX1004 FLORETT SENSOR FOR MEASURING THE TEMPERATURE OF THE MEDIUM

### Application

The floret sensor is suitable for all types and makes of 220 l drums. The Pt100 sensor in the tip of the sensor easily connects to the WRW-200 controller-limiter combination to provide point-precise temperature measurement.

**The Pt100 sensor (2 conductors) switches the drum heater off after reaching the desired medium temperature and protects the medium against overheating and thermal damage.**

### Structure



Original may deviate from illustration

### Features and benefits

Shock-resistant stainless steel knob	→ very well-suited for secure insertion of the sensors into firm (granulate, powder, wax, oils) and crystalline media
Stable plastic grip	→ Heat contact protection
Immersion stopper	→ limits the immersion depth of the floret sensor
Stainless steel tube	→ very well-suited to aggressive media
Removable tip with integrated sensor	→ easy replacement of the Pt100 sensor

### Application

